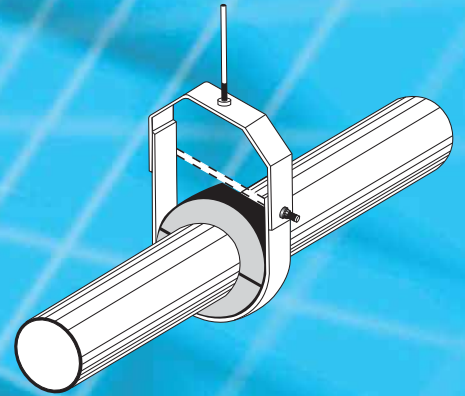


AEROFIX™

POLYMERIC RIGID FOAM PIPE HANGER WITH SELF-SEALING TAPE

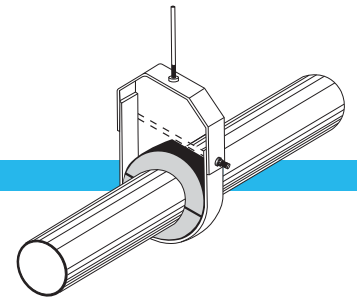
POLYMERIC RIGID FOAM PIPE HANGER WITH FOAM TAPE AS ANTI-VIBRATION AND SELF-ADHESIVE PROTAPE

- Easy to handle one-piece unit
- With self-adhesive tape for fast installation
- Easy and quick (installation)
- Sizes correspond to tube sizes of **AEROFLEX®**



Hanging and fixing of pipes used in Chilling, freezing and Air-conditioning systems.





POLYMERIC RIGID FOAM HANGER WITH FOAM TAPE AND SELF-SEALING TAPE

AEROFIX™ is Polymeric rigid foam hanger with foam tape and self-sealing tape designed for supporting and insulating liquid cooling and heating lines at hanging point. Its closed cell, rigid structure **AEROFIX™** make ideal for use as rigid foam hanger especially for liquid cooling lines to prevent condensation and saving energy.

SPECIFICATIONS :

PHYSICAL PROPERTIES	Dia - ≤3"	Dia - ≥4" ~ 9"	Dia - ≥10"	TEST METHOD
Density (kg/m ³)	170 - 230	220 - 280	270 - 300	ASTM D 1622
Thermal Conductivity (W/mK at 24°C)	<0.040	<0.045	<0.050	DIN 52613 & ISO 8302
Water Absorption (%by weight)	<7	<5	<3	ASTM D 1056
Compression Strenght at Yield (Kg/cm ²)	>16	>24	>36	ASTM D 1621
Flammability	Self Extinguishing HB			ASTM D 635 UL 94
Temperature Range	-200°C~+125°C			

PROPERTIES OF **AEROFIX™**

AEROFIX™ made from polyether polyols based materials in combination with flame retardants by high pressure processing machine and molded in individual patterns. The polymeric rigid foam character is evident in that the foam is not fusible, has high softening point and exhibits good resistance to chemicals and solvents.

AEROFIX™ has skins both inner and outer surface and lining with rubber foam on the inner surface to absorb vibration of operating pipeline. The outer surface consists of rubber tape which seals the hanger completely after installation in addition to prevent moisture penetration to cold pipeline.



AEROFIX™ Standard Packing

I.D.		Thickness 1/2"		Thickness 3/4"		Thickness 1"		Thickness 1.1/4"		Thickness 1.1/2"		Thickness 2"	
Copper tube	Iron tube	CODE NO.	pcs./ctn.	CODE NO.	pcs./ctn.	CODE NO.	pcs./ctn.	CODE NO.	pcs./ctn.	CODE NO.	pcs./ctn.	CODE NO.	pcs./ctn.
3/8"	-	UXI0120038 - 112	480	UXI0340038 - 112	300	UXI1000038 - 112	240	-	-	-	-	-	-
5/8"	-	UXI0120058 - 112	480	UXI0340058 - 112	240	UXI1000058 - 112	180	UXI1140058 - 112	144	-	-	UXI2000058 - 112	80
3/4"	-	UXI0120034 - 112	480	UXI0340034 - 112	240	UXI1000034 - 112	180	-	-	UXI1120034 - 112	108	-	-
7/8"	(1/2" IPS)	UXI0120078 - 112	360	UXI0340078 - 112	240	UXI1000078 - 112	120	UXI1140078 - 112	108	UXI1120078 - 112	108	UXI2000078 - 112	60
1"	(3/4" IPS)	UXI0120100 - 112	240	UXI0340100 - 112	180	UXI1000100 - 112	144	UXI1140100 - 112	108	UXI1120100 - 112	108	UXI2000100 - 112	60
1.1/8"	-	UXI0120118 - 112	240	UXI0340118 - 112	180	UXI1000118 - 112	144	UXI1140118 - 112	108	UXI1120118 - 112	84	UXI2000118 - 112	48
1.3/8"	(1" IPS)	UXI0120138 - 112	240	UXI0340138 - 112	120	UXI1000138 - 112	144	UXI1140138 - 112	108	UXI1120138 - 112	72	UXI2000138 - 112	48
1.5/8"	(1.1/4" IPS)	UXI0120158 - 112	180	UXI0340158 - 112	144	UXI1000158 - 112	108	UXI1140158 - 112	84	UXI1120158 - 112	72	UXI2000158 - 112	48
1.7/8"	(1.1/2" IPS)	UXI0120178 - 112	120	UXI0340178 - 112	108	UXI1000178 - 112	108	UXI1140178 - 112	72	UXI1120178 - 112	60	UXI2000178 - 112	48
2.1/8"	-	UXI0120218 - 200	120	UXI0340218 - 200	108	UXI1000218 - 200	84	UXI1140218 - 200	72	UXI1120218 - 200	48	UXI2000218 - 200	36
2.3/8"	(2" IPS)	UXI0120238 - 200	108	UXI0340238 - 200	108	UXI1000238 - 200	72	UXI1140238 - 200	60	UXI1120238 - 200	48	UXI2000238 - 200	36
2.5/8"	-	UXI0120258 - 200	108	UXI0340258 - 200	72	UXI1000258 - 200	60	-	-	UXI1120258 - 200	48	UXI2000258 - 200	36
2.7/8"	(2.1/2" IPS)	UXI0120278 - 200	108	UXI0340278 - 200	72	UXI1000278 - 200	60	UXI1140278 - 200	48	UXI1120278 - 200	48	UXI2000278 - 200	36
3.1/2"	(3" IPS)	UXI0120312 - 200	60	UXI0340312 - 200	48	UXI1000312 - 200	48	UXI1140312 - 200	48	UXI1120312 - 200	36	UXI2000312 - 200	24
4.1/2"	(4" IPS)	UXI0120412 - 200	48	UXI0340412 - 200	48	UXI1000412 - 200	36	UXI1140412 - 200	24	UXI1120412 - 200	24	UXI2000412 - 200	18
5.1/2"	(5" IPS)	UXI0120512 - 212	30	UXI0340512 - 212	24	UXI1000512 - 212	24	UXI1140512 - 212	15	UXI1120512 - 212	15	UXI2000512 - 212	10
6.5/8"	(6" IPS)	UXI0120658 - 212	20	UXI0340658 - 212	15	UXI1000658 - 212	15	UXI1140658 - 212	10	UXI1120658 - 212	10	UXI2000658 - 212	10
8.5/8"	(8" IPS)	UXI0120858 - 212	10	UXI0340858 - 212	10	UXI1000858 - 212	10	UXI1140858 - 212	10	UXI1120858 - 212	10	UXI2000858 - 212	10
10.3/4"	(10" IPS)	UXI0121034 - 300	8	UXI0341034 - 300	8	UXI1001034 - 300	4	UXI1141034 - 300	4	UXI1121034 - 300	4	UXI2001034 - 300	4
12.3/4"	(12" IPS)	UXI0121234 - 300	8	UXI0341234 - 300	4	UXI1001234 - 300	4	UXI1141234 - 300	4	UXI1121234 - 300	4	UXI2001234 - 300	4
16"	(16" IPS)	-	-	-	-	-	-	-	-	UXI1121600 - 300	4	UXI2001600 - 300	4
24"	(24" IPS)	-	-	-	-	-	-	-	-	UXI1122400 - 300	4	UXI2002400 - 300	4

Remark : *I.D 1/2" - 1.7/8" Width 1.1/2" *I.D 2.1/8" - 4"IPS Width 2"
 *I.D 5"IPS - 8"IPS Width 2.1/2" *I.D 10"IPS - 12"IPS Width 3"